



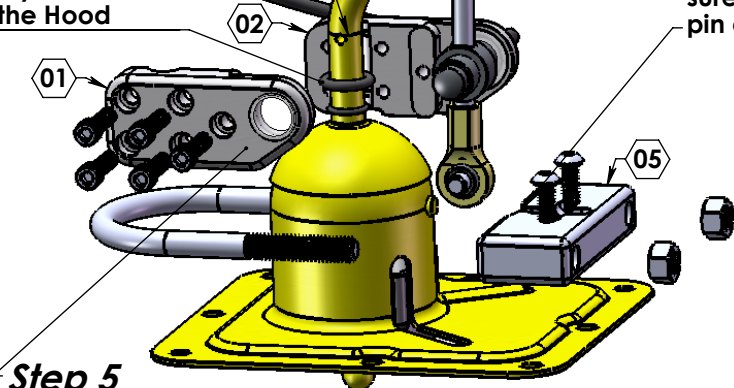
SCAN QR CODE FOR INSTRUCTION VIDEO

Step 2

Remove Pin, Spring, two Cup Washers, and old O-Ring
Remove any Rust or loose Paint

Step 3

Slide two new O-Rings all the way down against the Hood



Step 5

Assemble #01 & #02 onto Shifter, with 5 screws, using a 3/16" Hex Key. Pull up on Shifter while pushing #01 & #02 down against O-Rings, snug 5 screws enough to hold them in place. Shifter should be snug with no play up or down.

Step 9

Squeeze Trigger #07 and move shifter into all 4 positions, make sure the threaded Rod is loose and not binding thru all movement. If it binds you may need to adjust #01 & #02 Slightly to the left or right, tighten the 5 Screws evenly, while checking for binding and adjusting as required. Shifter should be snug with no play up or down.

Step 7

Route Cable and Tie with (2) Zip Ties

Step 1

Mount Block #05 to your shifter base using U-Bolt and two nuts. Make sure slot in block fits up against pin on shifter base, Tighten nuts evenly.

Step 4

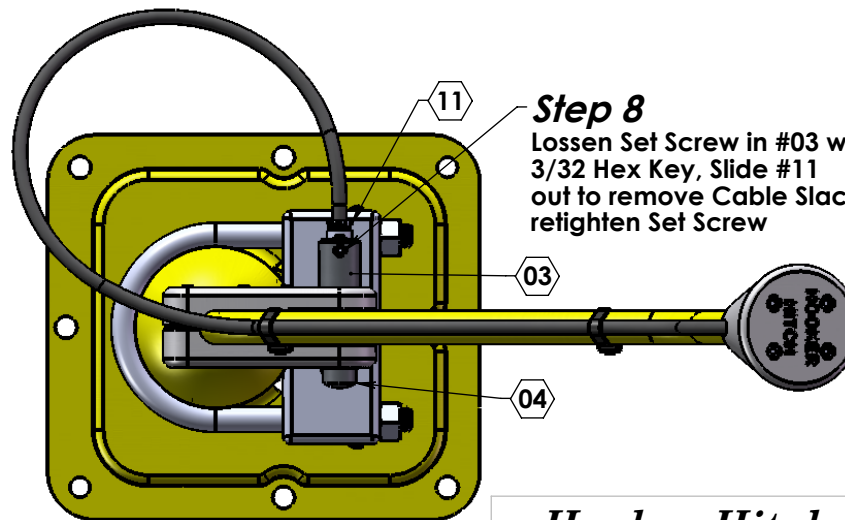
Slide Shifter Knob onto Shifter and tighten two screws with a 1/8" Hex Key

Step 6

Assemble Heim Joint and Pin onto #05 and tighten 2 screws with a 5/32" Hex Key

Step 8

Loosen Set Screw in #03 with 3/32 Hex Key, Slide #11 out to remove Cable Slack reighten Set Screw



DRAWN **SCH** 4/1/22
PROPRIETARY AND CONFIDENTIAL
THE INFORMATION CONTAINED IN THIS DRAWING IS THE SOLE PROPERTY OF HESS' INNOVATIVE MACHINING LLC. ANY REPRODUCTION IN PART OR AS A WHOLE WITHOUT THE WRITTEN PERMISSION OF HESS' INNOVATIVE MACHINING LLC. IS PROHIBITED.

Hooker Hitch.com

Phone 717-529-1081 Fax 717-529-6708

E-mail: info@giterdunn.com

TITLE:

Assembly Instructions for Hooker Hitch Manual Shifter Hook

SH101M-INST